

# **BORFLEX®**

**STRONG GRIPPER HDPE CLAMP**



**HDPE CLAMP**

[www.bortek.com](http://www.bortek.com)

## STRONG GRIPPER HDPE CLAMP



- \* IT IS USED FOR PIPES AS HDPE, PVC, PE ETC...
- \* PRODUCTION UNTIL PN 40 TEST PRESSURE.
- \* SEALING GASKET WITH MULTI CHANNEL-LIP.
- \* PRODUCTION BETWEEN DN 63 mm - DN 2000 mm.
- \* BODY: AISI 304 ( OPTIONAL: AISI 316 or AISI 1024 GALVANIZED STEEL )
- \* EPDM, NBR RUBBER
- \* VACUUM SUPPORT PART ( OPSİYONAL )
- \* IT AFFECTS FLEXIBLE CONNECTION ON PIPES

\*STRONG GRIPPER RINGS ( ON THE LEFT AND RIGHT SIDE ) GRABES HDPE PIPES TIGHTLY AS CIRCULARLY.

\*THESE RINGS, EVEN UNDER FULL PRESSURE, ALSO ALLOW PIPES TO TURN AROUND 360 DEGREE AS INDEPENDENT OF EACH OTHER.

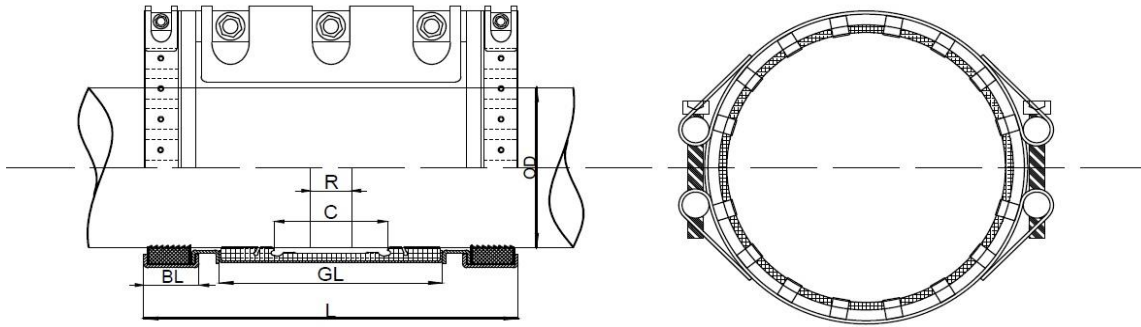
\*GRIPPER ON GRAP RINGS CAN BE CHOSEN AS AISI 316 STAINLESS STEEL OR AL-ALLOY ACCORDING TO AMBIENT CONDITIONS.

\*THE GRIPPERS ARE ON OPPOSITE ANGLES TO THE DIRECTION MOVEMENT OF THE PIPE AND IT HOLDS ON TO PIPE SURFACE WITH PIPE'S MOVEMENT.

\*IN ADDITION TO THE GRIPPERS OF THE BODY ARE FIXED TO RINGS BODY BY SPECIAL BOLTS.



## STRONG GRIPPER HDPE CLAMP



Material Features	W2	W4	W5
Body	AISI 304- 1040 steel (epoxy paint )	AISI 304	AISI 316
Body Connettion Parts	Steel Coated Dacromat 500	AISI 304	AISI 316
Bolts	Steel Coated Dacromat 500	AISI 304	AISI 316
Vacuum Support Parts (Opsiyonal)	AISI 304	AISI 304	AISI 316
GRIPPER	AISI 304 or 1040 steel (epoxy paint )	AISI 304	AISI 316
Grip	Al-ALLOY	Al-ALLOY	AISI 316
Sealing Gasket (EPDM)	Temperature:-20° C - +120° C	Temperature:-20° C - +120° C	Temperature:-20° C - +120° C
Fluid	Water, Waste water, air, solid and chemical products	Water, Waste water, air, solid and chemical products	Water, Waste water, air, solid and chemical products
Sealing Gasket ( NBR )	Temperature:-20° C - +120° C	Temperature:-20° C - +120° C	Temperature:-20° C - +120° C
Fluid	Water, gas, oil, petrol and other hydrocarbons	Water, gas, oil, petrol and other hydrocarbons	Water, gas, oil, petrol and other hydrocarbons



## HDPE CLAMP SIZE TABLE

Pipe Out.Dia.	Clamping Range	Nominal Pressure	Measurements		BL	The distance between two pipes		Connections		
			GL	C		R max	No Support	Yes Support	Bolts	Allen
AD	Min. - Max.	PN	Width	Sealing Range	Ring	No Support	Yes Support	Bolts	Allen	Torque
(mm)	(mm)	(Bar)	(mm)	(mm)	(mm)	(mm)	(mm)	(M)	(M)	( Nm)
63	62 – 64	20	76	36	50	10	28	2 x M8	6	8
75	74 – 76	20	105	54	50	10	28	2 x M8	6	13
90	89 – 91	20	105	54	50	10	28	2 x M8	6	15
110	109 – 111	20	105	54	50	10	28	2 x M8	6	18
125	124 – 126	20	120	67	50	10	28	2 x M10	8	28
140	139 – 142	20	120	67	50	10	28	2 x M10	8	32
160	159 – 162	20	120	67	50	10	28	2 x M10	8	36
180	178 – 182	20	120	67	50	10	28	2 x M10	8	41
200	197 – 203	16	210	107	50	10	28	6 x M12	10	37
225	222 – 228	16	210	107	55	10	28	6 x M12	10	42
250	247 – 253	16	210	107	55	10	28	6 x M12	10	46
280	277 – 283	16	210	107	55	10	28	6 x M12	10	52
315	312 – 318	16	210	107	55	10	28	6 x M12	10	58
355	352 – 358	16	210	107	55	10	28	6 x M12	10	65
400	397 – 403	16	210	107	55	10	28	6 x M16	14	84
450	447 – 453	16	210	107	70	10	28	6 x M16	14	95
500	497 – 503	16	210	107	70	10	28	6 x M16	14	105
560	557 – 563	16	210	107	70	10	28	6 x M16	14	117
630	627 – 633	16	210	107	70	10	28	6 x M16	14	132
710	707 – 713	16	210	107	70	10	28	6 x M16	14	149
800	797 – 803	16	210	107	70	10	28	6 x M16	14	168
900	897 – 903	10	210	107	70	10	28	6 x M16	14	118
1000	997 – 1003	10	210	107	70	10	28	6 x M20	17	164
1200	1197 – 1203	10	210	107	80	10	28	6 x M20	17	197
1400	1397 – 1403	6	210	107	80	10	28	6 x M20	17	138
1600	1597 – 1603	6	210	107	80	10	28	6 x M20	17	158
1800	1797 – 1803	4	210	107	80	10	28	9 x M20	17	118
2000	1997 – 2003	4	210	107	80	10	28	9 x M20	17	131

Note: Body width:330 mm (C: 205mm) and Body width:420 mm (C: 270mm) can be produced if requested.

### BORTEK BORU VE TESISAT TEKNOLOJILERI DIS TICARET LTD. STI.

BOSB. Mustafa Kurtoglu cad. No:11 Kat: 1-3-4 BEYLIKDUZU-ISTANBUL / TURKEY

Phone: +90 (212) 875 99 22 - +90 ( 212) 879 03 68 (Pbx) Fax: +90 (212) 876 55 26

Web: [www.bortek.com](http://www.bortek.com) E-mail: [bortek@bortek.com.tr](mailto:bortek@bortek.com.tr)